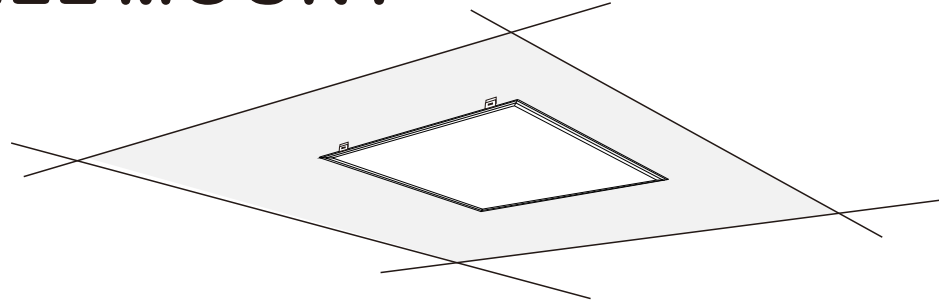


CEILING & WALL MOUNT



BEFORE YOU BEGIN

Read these instructions completely and carefully.

⚠ WARNING/AVERTISSEMENT

RISK OF ELECTRIC SHOCK

- Turn power off before inspection, installation or removal.
- Properly ground electrical enclosure.

RISK OF FIRE

- Follow all NEC and local codes.
- Use only UL or IEC approved wire for input/output connections. Minimum size 18 AWG (0.75mm²).

RISQUES DE DÉCHARGES ÉLECTRIQUES

- Coupez l'alimentation avant d'inspecter, installer ou déplacer le luminaire.
- Assurez-vous de correctement mettre à la terre le boîtier d'alimentation électrique.

RISQUES D'INCENDIE

- Respectez tous les codes NEC et codes locaux.
- N'utilisez que des fils approuvés par UL ou IEC pour les entrées/sorties de connexion. Taille minimum 18 AWG (0.75mm²).

Prepare Electrical Wiring

Refer to **LED Panel Specification** for more lamp electrical data info.



Electrical Requirements

- The LED luminaire must be connected to the mains supply according to its ratings on the product label.



Grounding Instructions

- The grounding and bonding of the overall system shall be done in accordance to local electric code of the country where the luminaire is installed.

Save These Instructions

Use only in the manner intended by the manufacturer. If you have any questions, contact the manufacturer.

⚠ CAUTION

Do not perforate the integrity of the luminaire. Only screw into the threaded mounting bracket holes located at the four corners of the fixture.

⚠ WARNING/AVERTISSEMENT

Risk of Fire. Do not install insulation within 3 inches (76 mm) of luminaire top.
Risques d'incendie. Ne pas installer d'isolation à moins de 76 mm (3 pouces) au-dessus du luminaire

Storage Info

Environmental Operating Temperature Range

-10°C to +40°C

Environmental Rating

Dry or damp location rated

Environmental Storage Temperature Range

-40°C to +60°C



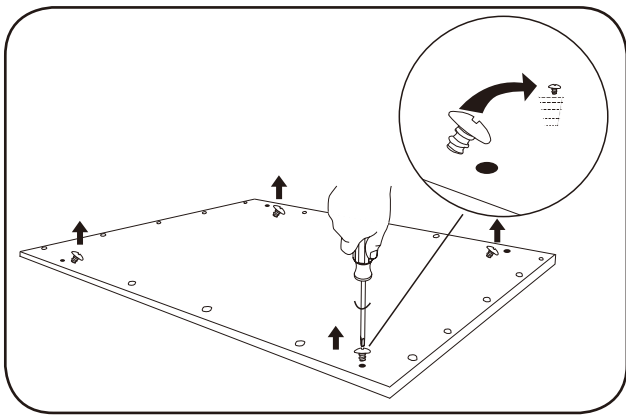
Lights Up Art Life

www.lightman-led.com | info@lightman-led.com

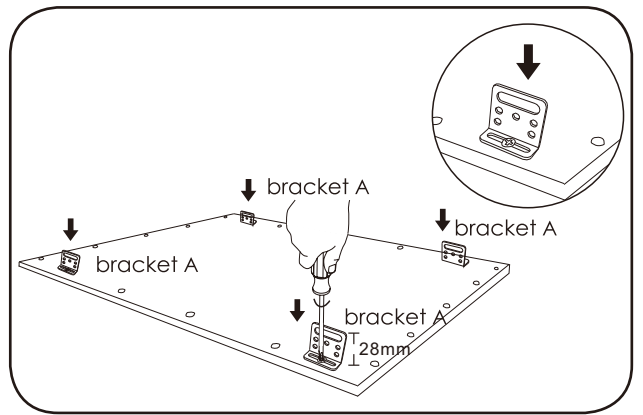
CEILING & WALL MOUNTED KITS

Accessories	3030	3060	6060	6262	30120	60120
bracket A		X 4			X 6	
bracket B		X 4			X 6	
		X 4			X 6	
		X 4			X 6	
		X 4			X 6	
		X 4			X 6	

CEILING & WALL MOUNTED STEPS



1 Unscrew the highlighted screws from the four corners of the Panel.



2 Fix the four 'A' brackets to the back of the panel.

AC 100-240V

30120/60120

bracket B position

→

○	○	30120/60120 ○ B ○ A
	A	

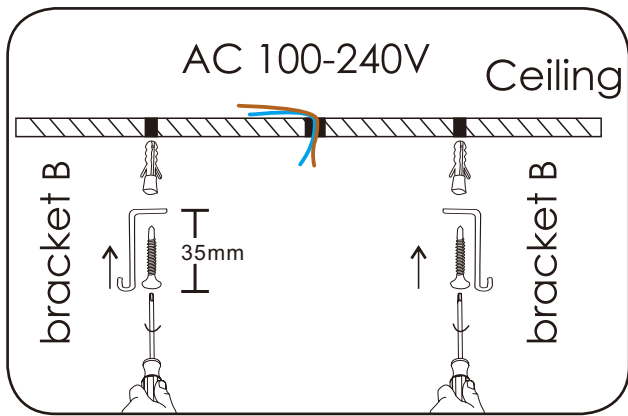
3030: A:222mm 6060: A:520mm

3060: A:520mm 6262: A: mm

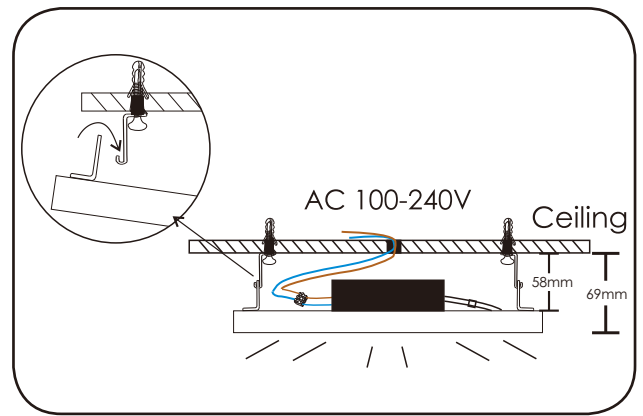
30120: A:425+B:425mm

60120: A:425+B:425mm

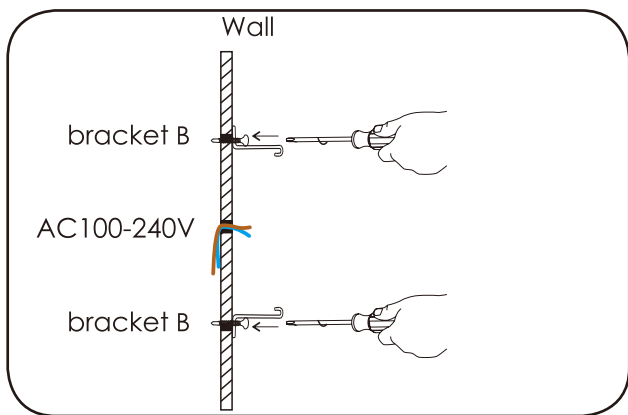
3 Please note instructions above for the mounting location of the four 'B' brackets.



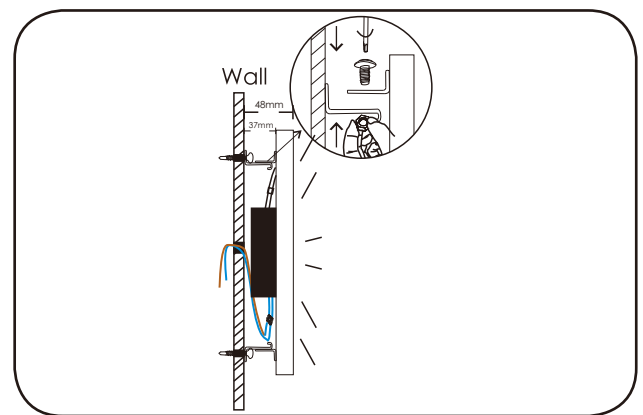
4 Screw the four 'B' brackets to the ceiling.



5 Mount the Panel to the ceiling ensuring the brackets align.



6 In case of wall installations, mount the 'B' brackets to the wall.



7 Mount the Panel to the wall ensuring the brackets align and fix the safety screws through the brackets.



Lights Up Art Life

www.lightman-led.com | info@lightman-led.com