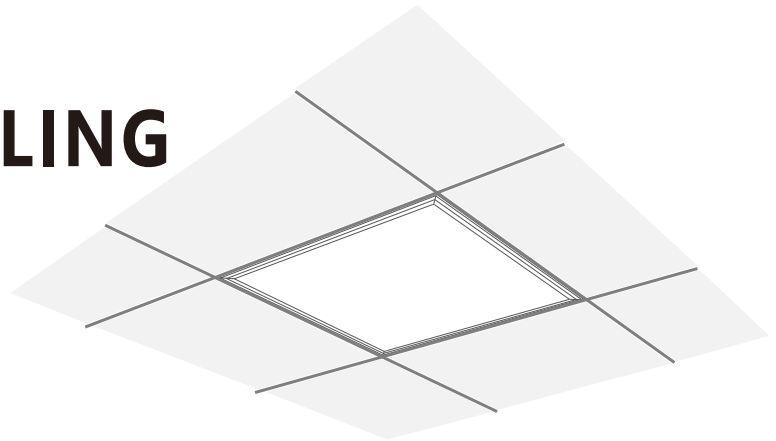


RECESSED Grid-CEILING



BEFORE YOU BEGIN

Read these instructions completely and carefully.

⚠ WARNING/AVERTISSEMENT

RISK OF ELECTRIC SHOCK

- Turn power off before inspection, installation or removal.
- Properly ground electrical enclosure.

RISK OF FIRE

- Follow all NEC and local codes.
- Use only UL or IEC approved wire for input/output connections. Minimum size 18 AWG (0.75mm²).

RISQUES DE DÉCHARGES ÉLECTRIQUES

- Coupez l'alimentation avant d'inspecter, installer ou déplacer le luminaire.
- Assurez-vous de correctement mettre à la terre le boîtier d'alimentation électrique.

RISQUES D'INCENDIE

- Respectez tous les codes NEC et codes locaux.
- N'utilisez que des fils approuvés par UL ou IEC pour les entrées/sorties de connexion. Taille minimum 18 AWG (0.75mm²).

Prepare Electrical Wiring

Refer to **LED Panel Specification** for more lamp
electronical data info.



Electrical Requirements

- The LED luminaire must be connected to the mains supply according to its ratings on the product label.



Grounding Instructions

- The grounding and bonding of the overall system shall be done in accordance to local electric code of the country where the luminaire is installed.

Save These Instructions

Use only in the manner intended by the manufacturer.
If you have any questions, contact the manufacturer.

⚠ CAUTION

Do not perforate the integrity of the luminaire. Only screw into the threaded mounting bracket holes located at the four corners of the fixture.

⚠ WARNING/AVERTISSEMENT

Risk of Fire. Do not install insulation within 3 inches (76 mm) of luminaire top.
Risques d'incendie. Ne pas installer d'isolation à moins de 76 mm (3 pouces) au-dessus du luminaire.

Storage Info

Environmental Operating Temperature Range

-10°C to +40°C

Environmental Rating

Dry or damp location rated

Environmental Storage Temperature Range

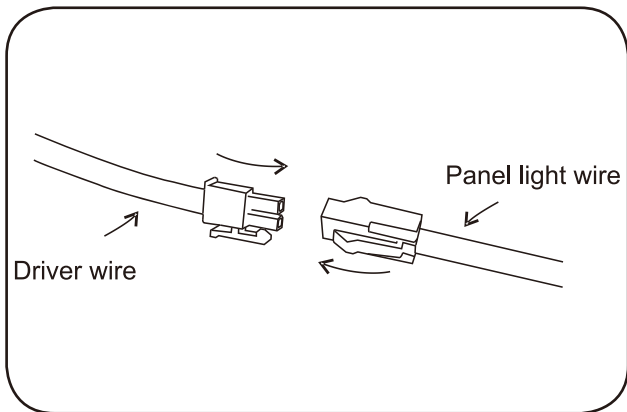
-40°C to +60°C



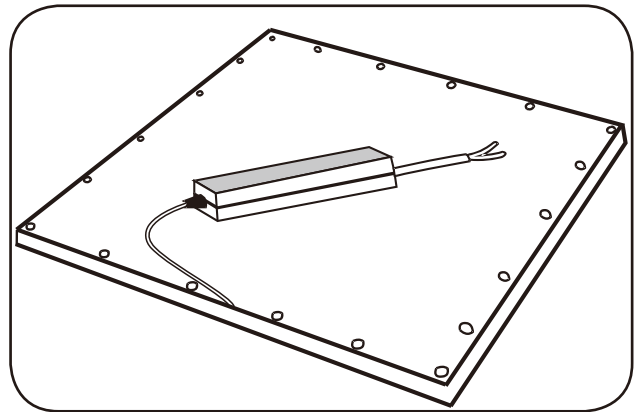
Lights Up Art Life

www.lightman-led.com | info@lightman-led.com

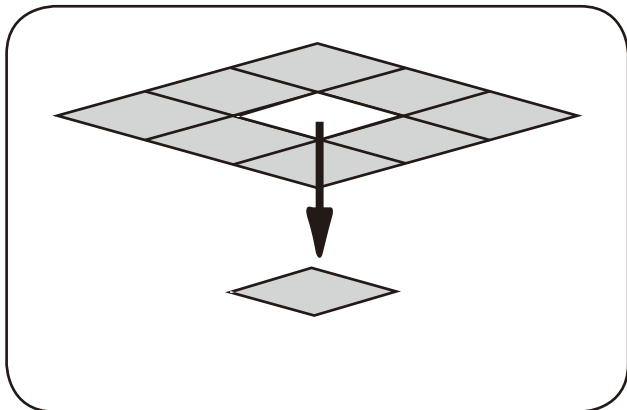
RECESSED IN Grid-CEILING FRAME



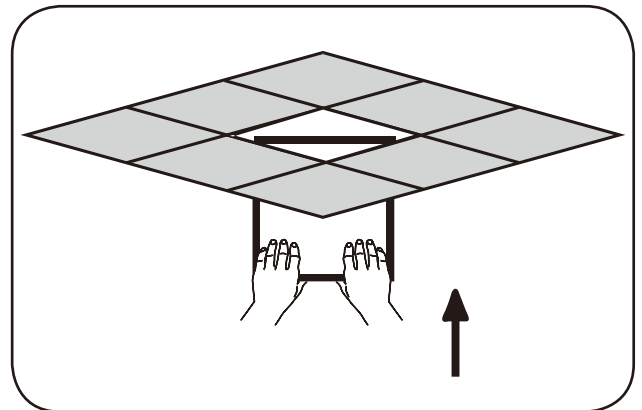
- 1 Connect the LED Panel cable to the DC side of the LED Driver.



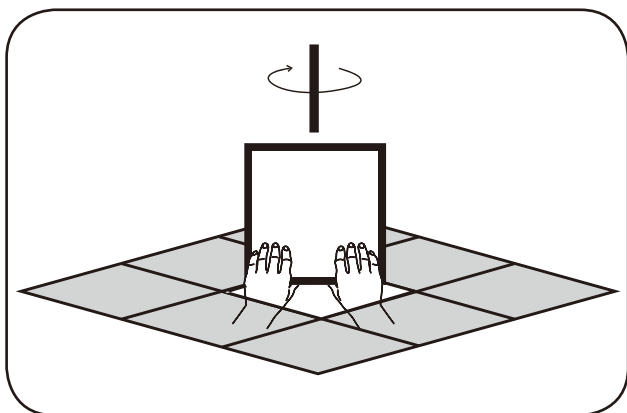
- 2 Place the driver on the back of the panel.



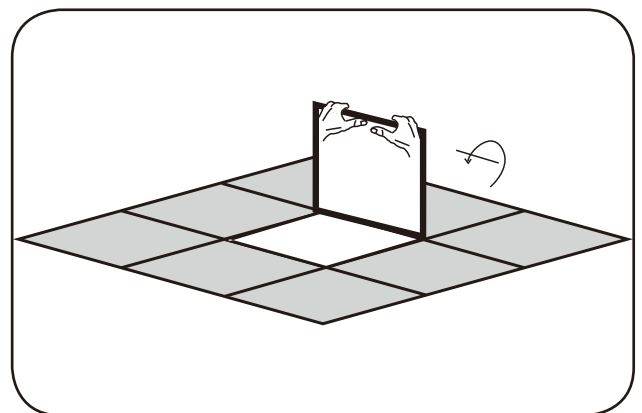
- 3 Remove the ceiling grid panel.



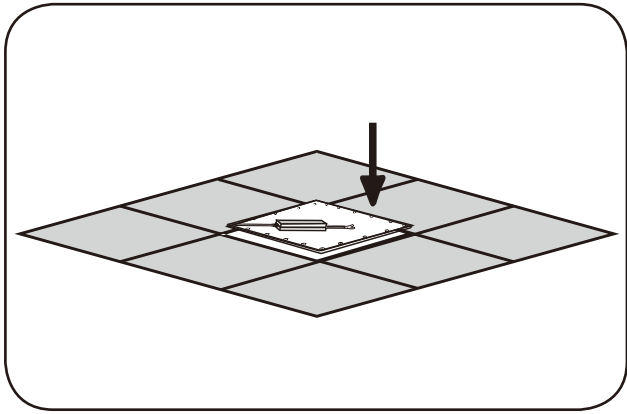
- 4 Insert the LED Panel in to ceiling grid.



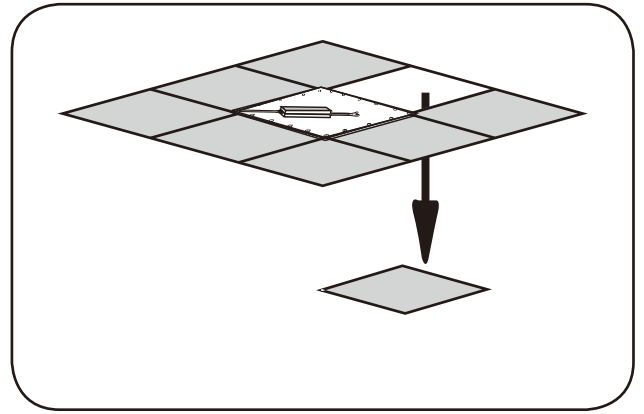
- 5 Rotate the Panel to insert easily in to the ceiling grid.



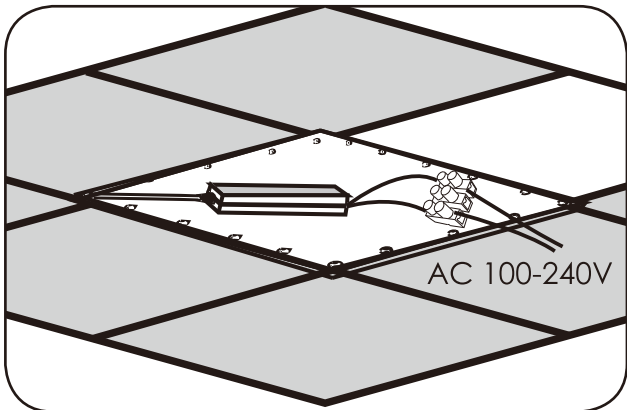
- 6 Place the LED Panel in line with the ceiling grid.



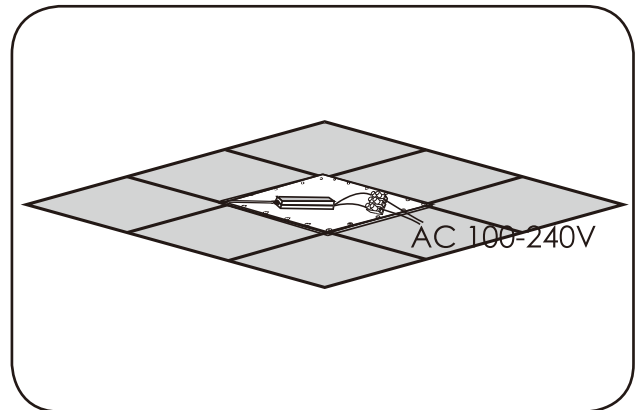
7 Ensure the Panel sits evenly inside of the T-bar ceiling grid.



8 Remove a ceiling panel next to the LED Panel.



9 Connect the LED Driver to AC mains power.



10 Replace the ceiling Panel to complete installation.

